



MIZZER

Oil-Mist Collector

High collecting efficiency

- More than 98% efficiency in collecting and exhausting oil mist through condensing and separating by means of collision and centrifugal force

HEPA Filter

- After Filter support to collect even smoke and fume with more than 99% efficiency
- Long life durability

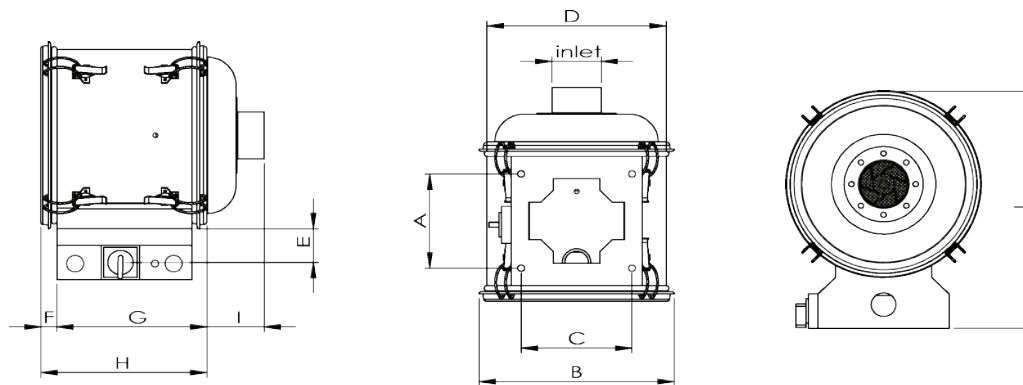
Simple and safe maintenance

- Easy assembling/ disassembling and convenient maintenance with simple structure and parts
- Cleaning by compressed air simply
- Various installation method on machines

Application

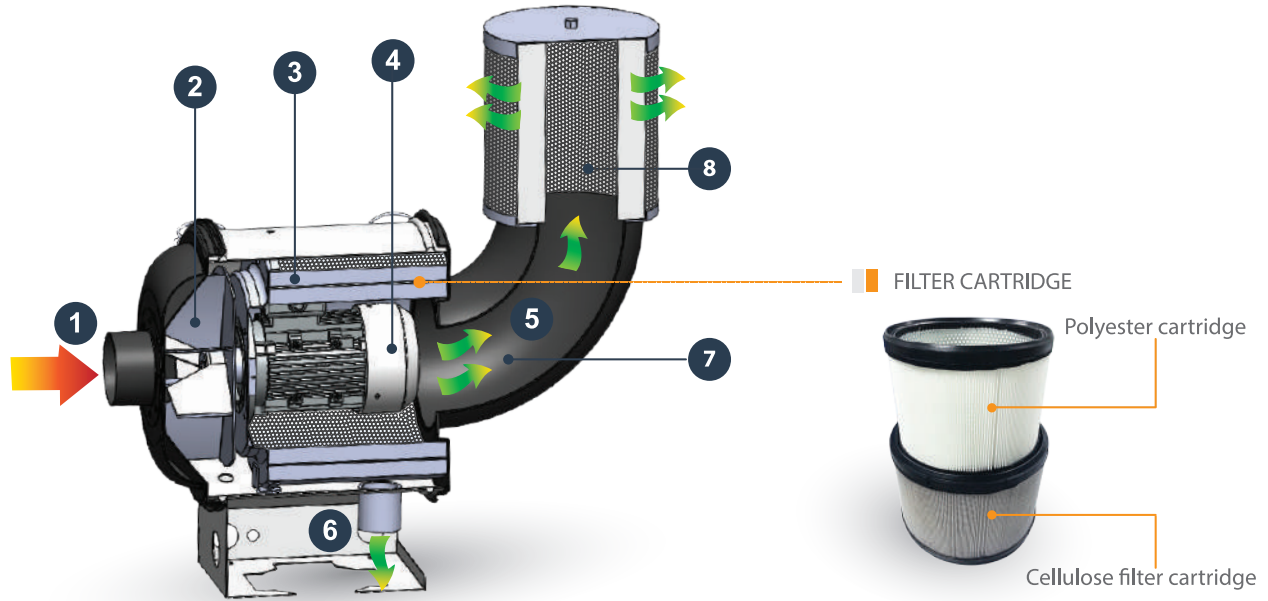
- CNC Machines, Grinding machine, Washing machine, Auto Lathe, Tapping machine, Gear marking machine, Hobbing machine, Drilling machine

Dimension (mm)



Model	A	B	C	D	E	F	G	H	I	J	Inlet Dia.
MIZZER-800	200	396	225	364	71.5	32.5	304.5	337	116	503	100
MIZZER-1500	200	396	225	364	71.5	32.5	304.5	337	116	503	150

Part list



- | | | | |
|-----------------------------|---------------------|---------------------------|-------------------------------|
| 1 OIL MIST AIR INLET | 2 IMPELLER | 3 FILTER CARTRIDGE | 4 ELECTRIC MOTOR |
| 5 CLEAN AIR OUTLET | 6 OIL OUTLET | 7 ADAPTER (OPTION) | 8 HEPA FILTER (OPTION) |

Specification (mm)

Model	Air Flow (CMH)	Power (KW/HP)	Filter Area (Sq.m)	Noise Level dB(A)	Net Weight (Kg)	Electrical (V)
MIZZER-800	800	0.75/1	1.58	72	29	220/380
MIZZER-1500	1500	1.5/2	1.58	74	55	220/380

■ Application of MIZZER

Rough Processing : Lathe



Intermediete Preforming : Milling



Finishing Processing : Grinding



■ Reference

